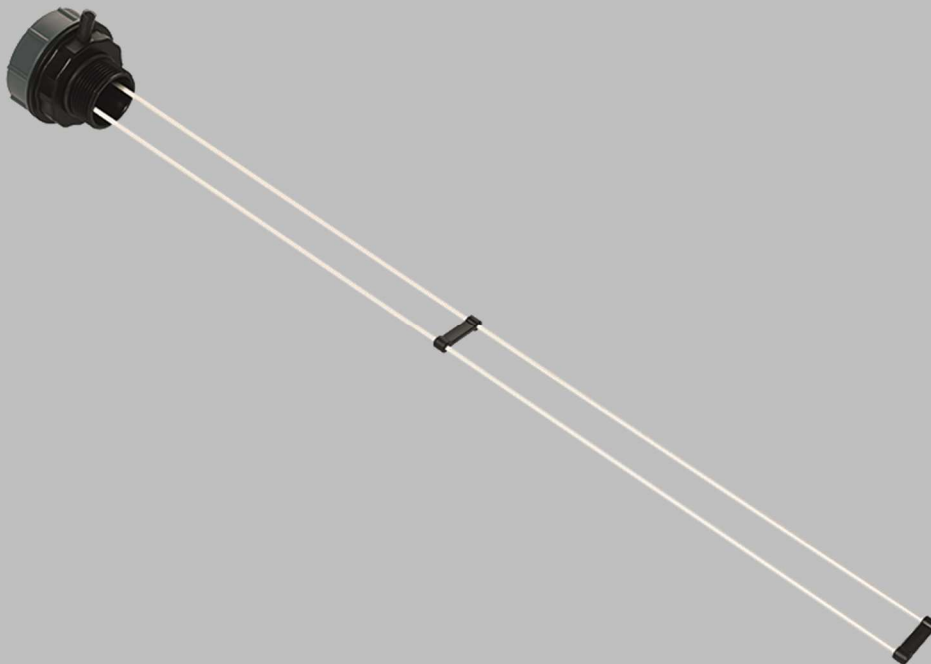


PRODUCT BASIC INFORMATION

NMEA 2000 LIQUID LEVEL SENSOR

HIGH PRECISION FOR YOUR SAFETY



CAPACITIVE SENSORS

KEY FEATURES

- ▶ NMEA 2000® certified
- ▶ 200 - 1500mm adjustable dip
- ▶ Selectable Liquid Type through dip switches
- ▶ Tank instancing via embedded dip switches
- ▶ User friendly calibration process
- ▶ Status LED for fast troubleshooting

The NMEA 2000® Liquid Level Sensor provides you with fresh or waste water level data which you can display on every NMEA 2000® compatible display.

The sensor comes in three variants, which differ in the range of the adjustable length. Therefore, this type of sensor is suitable for tanks with heights of 200mm up to 1500mm.



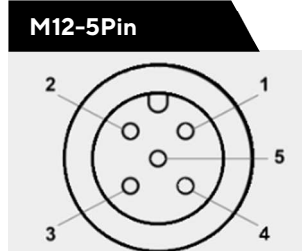
TECHNICAL DATA

Fluids	Fresh water / Waste water
Tank depth	200-600 mm (B000142) 600-1200 mm (B000144) 1200-1500 mm (B000145)
Installation	Thread G 1¼" (Threaded flange and gasket included)
Operating Temperature	-25°C to +70°C
Operating Voltage	12V (NMEA 2000)
NMEA LEN	2
Protection Class	IP X9K
Data Output	Digital - NMEA 2000
Housing	Plastic (seawater resistant)

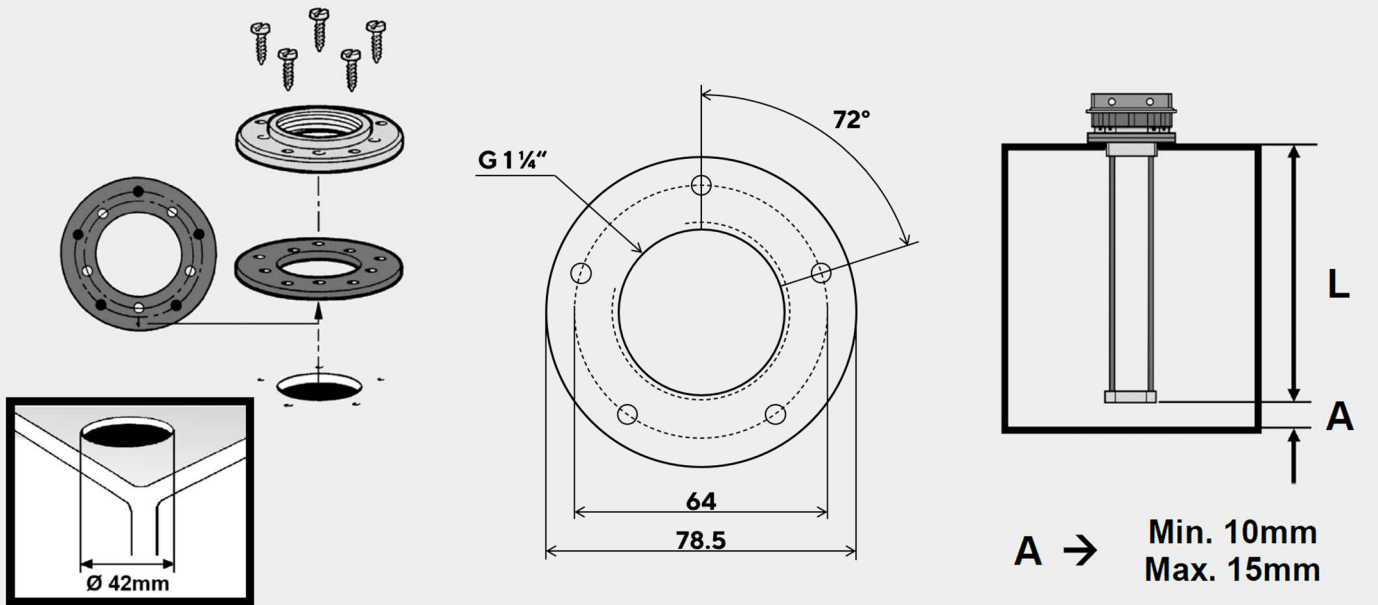


Connector

Pin	Signal
1	Shield
2	Power (12V)
3	Ground
4	CAN High
5	CAN Low



INSTALLATION



PACKAGING CONTENT

Description

NMEA 2000® Liquid Level Sensor

Sealing Kit

Installation and Safety manual

ACCESSORIES

Description

Sealing Kit

NMEA 2000 power cable

NMEA 2000 T-splitter

NMEA 2000 drop cable - 0.5m

NMEA 2000 drop cable - 2m

NMEA 2000 drop cable - 6m

NMEA 2000 terminator - Male

NMEA 2000 terminator - Female

Part Number

N05-016-930

A2C3931290001

A2C3931270002

A2C9624370001

A2C9624380001

A2C9624400001

A2C3931100001

A2C3931060001

NMEA 2000 PGNs

Fluid Level

127505



OUTDOOR INSTRUMENTATION ENGINEERED IN SWITZERLAND

Veratron AG / Industriestrasse 18 / 9464 Rüthi / Switzerland
T +41 71 7679 111 / info@veratron.com / veratron.com

The information provided in this brochure contains only general descriptions or performance characteristics, which do not always apply as described in case of actual use or which may change as a result of further development of the products. This information is merely a technical description of the product. It is not meant or intended to be a special guarantee for a particular quality or particular durability. An obligation to provide the respective characteristics shall only exist if expressly agreed in the terms of contract. We reserve the right to make changes in availability as well as technical changes without prior notice.
Veratron AG / English © 2023